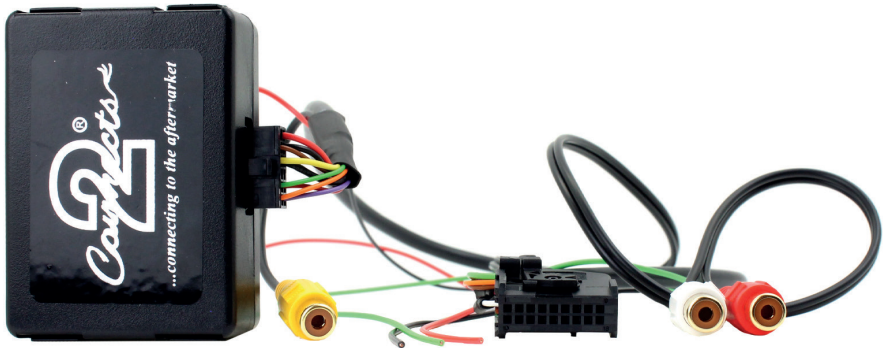




...connecting to the aftermarket

CAM-SK1-AD

Rear Camera/AV Input Interface



Application:

Skoda Octavia 2013>

For Vehicles with Nexus Navigation

www.connects2.com

ABOUT THIS PRODUCT...

CAM-SK1-AD

Audio-Video-Input Interface for ... vehicles with Navigation systems.

Factory TV tuner and factory rear-view camera must not be installed. Interface is initialised to PAL. Video input as default. Add On Reverse Camera Interface for OEM Systems allows the addition of an aftermarket reverse camera to the OEM screen - compatible with both PAL and NTSC cameras

Prior to Installation

Read the manual prior to installation. Technical knowledge is necessary for installation. The place of installation must be free of moisture and away from heat sources. Please ensure you use the correct tools to avoid damage to the vehicle or product.

Connects2 can not be held responsible for the installation of this product.

Technical Support

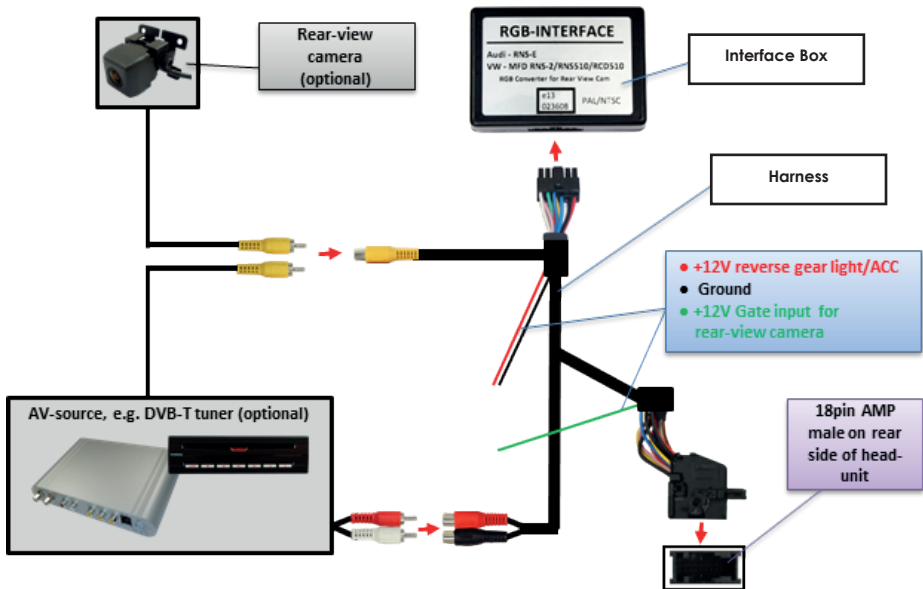
Connects2 want to provide a fast and suitable resolution should you encounter any technical issues. With this in mind, when contacting Connects2, try to provide as much Information as possible. This will speed up the process and help us to help you.

Please use our dedicated online technical support centre: support.connects2.com



Subscribe to our YouTube Channel for installation guides and tips... www.youtube.com/connects2

CONNECTION DIAGRAM/INSTALLATION

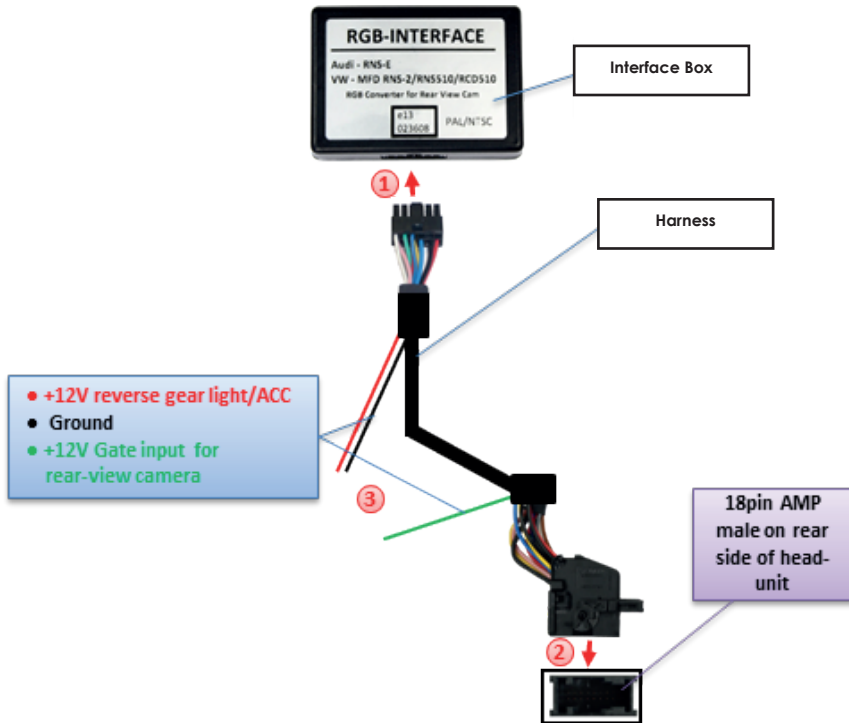


Installation

NB: Before installation, switch off ignition, disconnect the vehicle battery and remove the vehicle's head unit.

The interface is installed behind the vehicle's head unit.

Connecting Interface Box, Harness and Head-Unit



1. Plug the harness into the 12pin Molex of Interface box.

2.Plug the female 18pin AMP connector of the harness into the male 18pin AMP connector of the head-unit.

3. If connecting an AV-source:

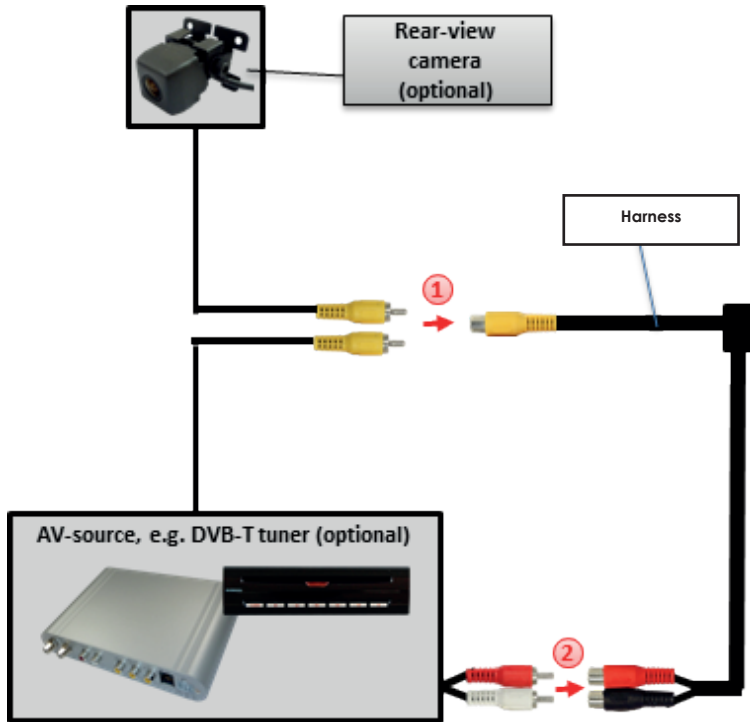
Connect the red cable of the harness to +12V ACC and the black cable of the harness to ground. Do not connect the green wire.

If connecting a rear-view camera:

Connect the red and green cable of the harness to +12V reverse gear light and the black cable of the harness to ground.

Note: If the 18pin AMP socket of the head-unit is already occupied, the vehicle may already have a factory TV-tuner installed. To complete installation, it must be uninstalled. Disconnect the female 18pin AMP-connector of the factory harness and disconnect all wires from the factory TV-tuner.

Connecting to AV-Source or Aftermarket Rear-View Camera



1. Connect the video RCA of the AV-source or the after-market rear-view camera to the female video RCA-connector of the harness.

2. If connecting an AV-Source, connect the audio RCA of the AV-source to the female audio RCA-connector of the harness.

Note: The interface is initialised to PAL. To connect an NTSC source, remove and isolate pin 15 of the 18pin female AMP connector of harness

Activating AV Source

CD-version Press AUDIO and select "AV"

DVD-version Press CD and select "AUX"

